

PrimeLine Tvättmaskin TM 8260 TM 9270

Installationsmanual



Använd inte denna apparat förrän du har läst dessa instruktioner!
Om den här maskinen byter äger så måste den här manualen följa
med maskinen.

Innehåll / Content

SVENSKA

Säkerhet och skyddsåtgärder	5
Avlägsna maskinens transportsäkring	6
Installera maskinen	7
Tvättpelare	9
Vattenanslutning	10
Avlopp	12
Elanslutning	13

ENGLISH

Safety and safety measures	14
Removing the transport securing device	16
Installing the appliance	17
Washer-Dryer tower	19
Water inlet	20
Water outlet	22
Electrical connection	23

Symbols



Please read the instructions.



Warnings are marked with a warning triangle.

The text gives information how a dangerous situation can be avoided.

Signal words indicate the severity of the danger, if not avoided.



Warning

means that possible personal injuries, and potentially life-threatening injuries may occur.



Important

means property damages may occur.

Safety and safety measures

When installing and connecting the appliance, the following safety instructions, warnings, general instructions and any possible special regulations of the locally responsible water and electricity supply companies must be observed.

- ▶ Have the machine installed according to the mounting instructions by qualified and trained personnel.
- ▶ Check the machine for transport damage. Do not connect an appliance which displays visible damage.

Warning

Risk of injury!

The washing machine is very heavy.

- ▶ When transporting or installing the machine (unloading, moving etc.), make sure that it does not fall down or tips over.

Components sticking out from the machine (e.g. loading door, cover plate) may break off and cause injuries, when used for lifting.

- ▶ Do not grip the appliance on components sticking out.

Inexpert installation of hoses and power cables may cause trip hazards and danger of injury.

- ▶ Lay hoses and cables in such a way that they do not represent a risk of tripping.

When playing with packaging material / film and packaging parts, children may become entrapped in it or pull these over their head and suffocate.

- ▶ Keep packaging material away from children.

Warning

Danger of electric shock!

There is a risk of short circuits and fire, when operating the washing machine outdoors.

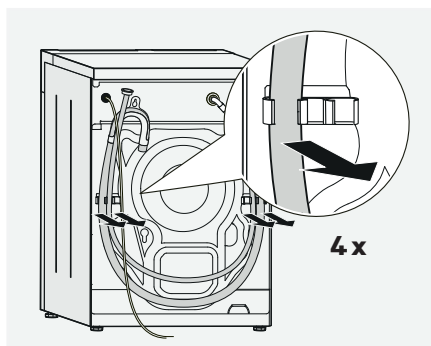
- ▶ The machine must not be operated outdoors (e.g. balcony).
- ▶ When operating the washing machine at 2000m above sea level, it is absolutely imperative to activate the temperature limiter to prevent the water from boiling (see service instructions or ask the customer service and/or retailer).
- ▶ Operating temperature of the appliance is 5 to 35 °C.

Removing the transport securing device

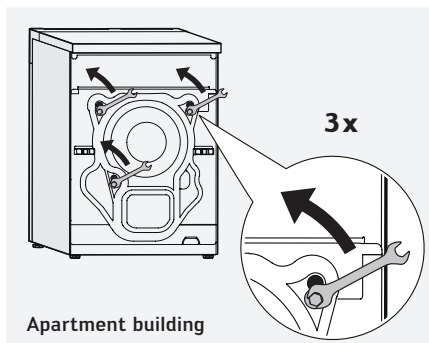
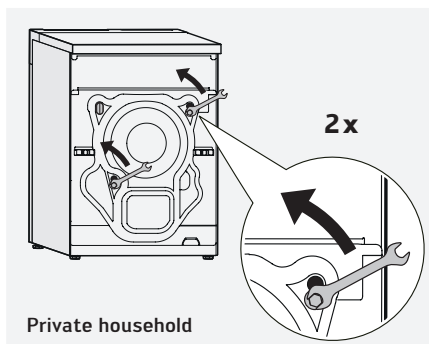
Important

The machine is secured with transport safety devices on the back of the washer.

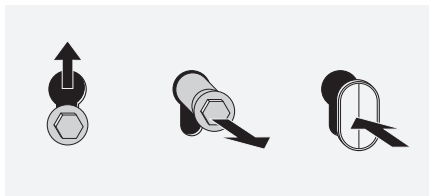
- ▶ Before putting the appliance into service for the first time, the transport securing device must be removed.
- ▶ Keep the safety devices for further use.
- ▶ To avoid transport damage, temporarily re-install the safety device when transporting the machine in the future.



- ▶ Remove the hoses and cables from their holding straps.



- ▶ Loosen hexagonal screws with a spanner (spanner size 13), until the screws can be moved freely.



- ▶ Remove the screws with their sleeves.
- ▶ Close the openings with the enclosed covers.

Warning

In the case of slipping there is a risk of injury.

Installing the appliance

Each appliance is carefully checked under operating conditions before leaving our factory. Any moisture or water residue which you may possibly find in the appliance or outlet hose are attributable to this check..

Installation area

In order to ensure the stability of the appliance during spin drying, the installation area must be firm and level. Soft floor coverings, e.g. fitted carpets or coverings with a foamed material backing are not suitable as an installation area.

Installation on timber joist floors

- ▶ Place the appliance on an at least 40 mm thick, water-resistant timber board which should be screwed firmly to the floor.
- ▶ Installation should be made as far as possible in the corner of the room. Fasten the appliance by its feet using the fixing set (this applies particularly in the case of a washer-dryer tower).

Installation on a plinth



Important

During spinning, the washing machine may wander and tip over or fall from the plinth.

- ▶ The base of the device must be fixed securely to it with a fixing set in order to prevent it from sliding off during its spin cycle. (this applies particularly in the case of a washer-dryer tower).

Installation on a slippery surface

When the machine is installed on a slippery surface (e.g. ceramic tile, polished natural stone, fine concrete), the feet of the machine must be secured with an attachment set (attachment set for glueing) to prevent the machine from moving during spinning.

Fixing sets

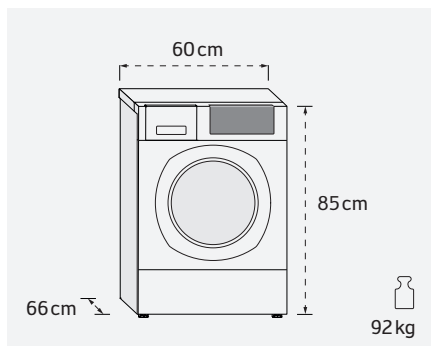
You can purchase the following fixing sets at your specialist retailer or through our customer services team:

- ▶ Steel fixing set – to be drilled
Order No: 520510
- ▶ Plastic fixing set – to be glued
Order No: 51215

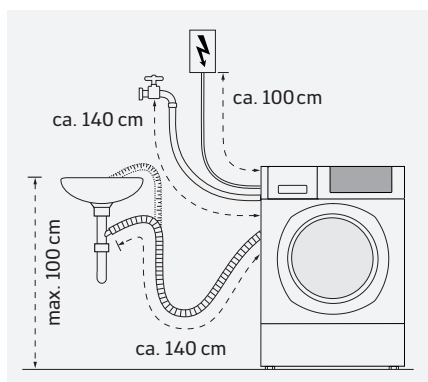
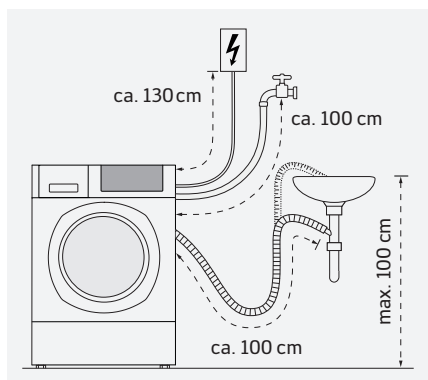
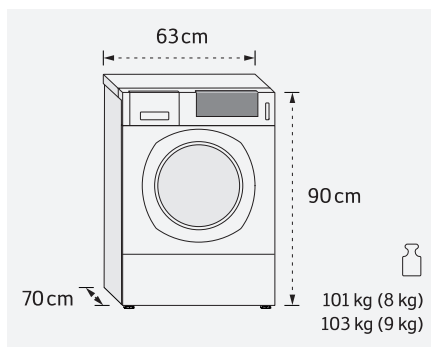
Keep machine dimensions in mind

The minimum distance between the machine and the wall or possibly another machine is 1 cm.

Private home



Apartment building



Aligning the appliance

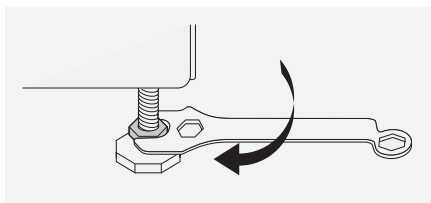
- ▶ Align the appliance with the help of a spirit level on all sides.

Notice

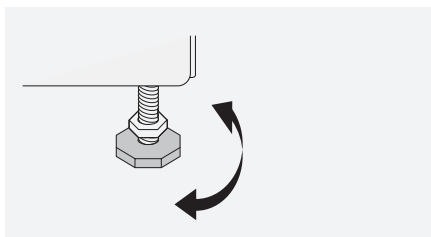
The machine must be in a vertical position with all four feet firmly on the floor and it must not wobble. Otherwise the machine might move during operation and cause any damage.



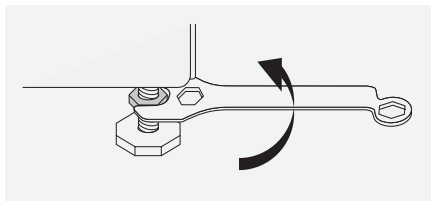
- ▶ Check the orientation of the machine.



- ▶ Loosen the counternuts with a spanner.



- ▶ If necessary, adjust the height of the feet of the machine by turning them.

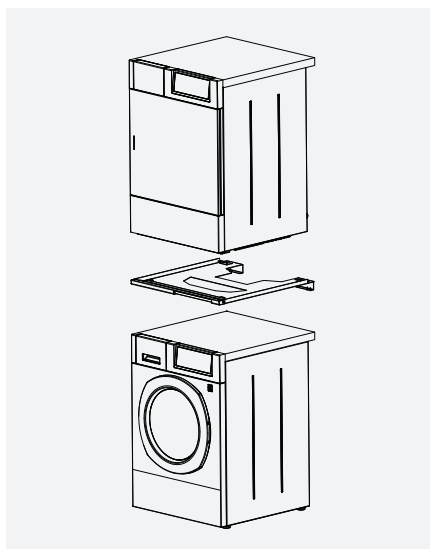


- ▶ Afterwards refasten the lock nut of each machine foot against the housing. While doing so, hold on to the feet to prevent the changing the height.

Washer-Dryer tower

In order to save space (installation space), you can place your dryer on top of a washing machine (washer-dryer tower). It is absolutely imperative not to mount a washing machine on a dryer, risk of falling.

You can obtain the appropriate parts as a construction kit from your specialist dealer or our customer services team. The installation must be carried out by a specialised electrician.



Warning

Risk of tipping!

- ▶ It is absolutely imperative not to mount a washing machine on a dryer.
-

Water inlet

For the water connection, a normal cold-water supply with at least 0,1 MPa (1 bar) water pressure is required. When the water tap is turned on, more than 8 litres of water per minute must flow out.

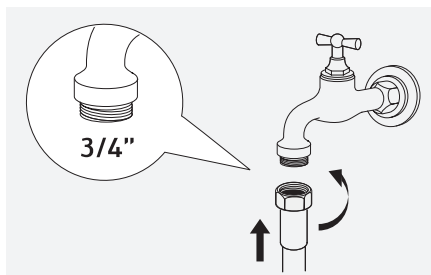
- ▶ If the water pressure is over 1 MPa (10 bar), a pressure valve should be fitted.

Important

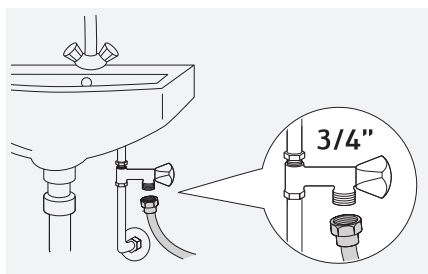
- ▶ Do not connect to the mixing battery of a pressureless hot-water apparatus.

Hoop up the machine with like new inlet hoses. Do not reuse old hose kits.

- ▶ Do not kink or protract the hoses.



- ▶ Connect the inlet hose to the water tap.
- ▶ Do not remove the screens in the hose connections, except for cleaning.



- ▶ Carefully turn on the water tap to make sure that the connections are not leaking.

Important

The connecting points are under full water pressure.

In order to avoid water damage, the water tap and the intermediate valve must be closed after washing..

Soft water/ rainwater connection

Notice

If you wish to use rainwater, this must be filtered or hygienically clean to avoid contamination.

- ▶ A rainwater utilisation system is required to operate your washing machine with rainwater.

Machines with soft water/ rainwater option provide two water connections on the rear panel for the soft and hard water connection (cold) respectively.

The supply valve for soft water/ rain-water is marked with a green line at the mouth, the neutral valve is determined for the hard water.

- ▶ Connect the soft / rain and hard water hose to the respective water tap.

Hot water connection

Machines with hot water option provide two water connections on the rear panel for the hot and cold water connection. The water supply valve for hot water is marked with a red line at the mouth, the neutral valve is determined for the cold water.

- ▶ Connect the hot and cold water water hose to the respective water tap.



Important

The hot water temperature must not exceed 70 °C.

- ▶ Higher water temperatures must be reduced by means of a mixer connected in series.
-

Aquastop / Aquasafe



- ▶ In the case of appliances with aquastop / aquasafe, connect the valve to the water tap as shown in the sketch.
- ▶ Carefully open the water tap to make sure that the connections are not leaking.



Warning

Danger of electric shock!

- ▶ Do not immerse the aquastop valve in water.
-

Water outlet

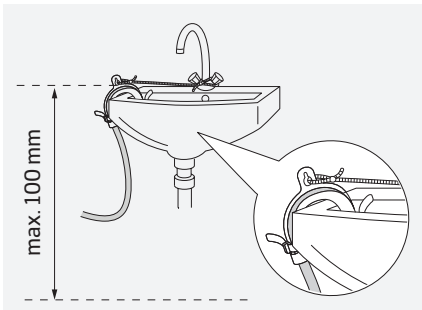
Important

Risk of water damage!

A drainage hose that is insufficiently secured, may slip out of the sink or the connection during draining and cause water damage.

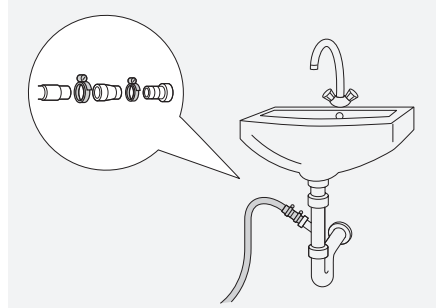
- ▶ Do not kink or protract the hoses.

Water drainage into sink



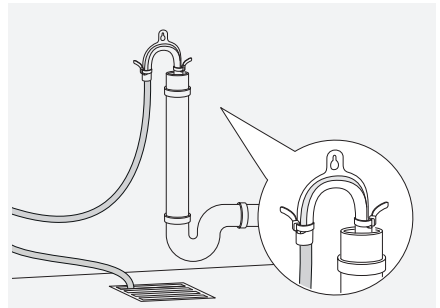
- ▶ Secure the hose against slipping out.
- ▶ Check, if the water drains away fast enough.
- ▶ Make sure the plug is not obstructing drainage.

Water drainage into siphon (In-wall or sink siphon)



- ▶ Secure the connection with hose clamps (available at the hardware store).

Water drainage into a standpipe or floor drain



- ▶ Fasten the hose on both sides with a cable tie.

Electrical connection


Notice

Connection of the appliance to the power supply must be carried out by a specialised electrician.

When the machine is operated for the first time the **Data** and **Time** settings are to be checked and if necessary, set correctly (see **Settings / Menu Settings** in the operating instructions).

Perform the electrical connection according to the regulations or provisions made by the local electricity authority and utility companies.

In rooms in which fault-current protective switches are required or recommended in order to increase safety, the release current must be 30 mA.

- ▶ Use a fault-current protective switch with the  symbol.

Approval for fixed connection, all-pole disconnectable by a main switch with contact distance of min. 3 mm or plug contact.

Warning

Risk of electric shock and risk of fire!
No extension cables, no multi-coupling and no plug-in, mobile time switches may be used.

The dryer may not be connected via an external switching mechanism, which regularly switches the machine on and off (e.g. timer switch).

L1 brown	N blue
L2 black	PE yellow-green
L3 grey	



AB PODAB

Tel: 031-752 01 00

E-mail: salj@podab.com

Service e-mail: support@podab.com

www.podab.com



© 2025 AB PODAB

Vi förbehåller oss rätten att göra ändringar
och reserverar oss för eventuella tryckfel.

För miljöns skull trycker vi endast i mycket begrän-
sad omfattning. Du kan hitta fler dokument och
information om dina maskiner i informationsområdet
för dina maskiner på www.podab.se